

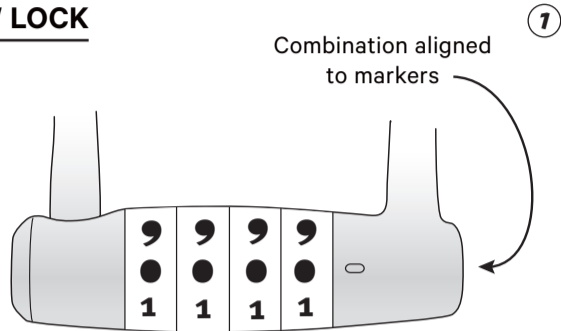


# Twisted COMBO

## QUICKSTART GUIDE

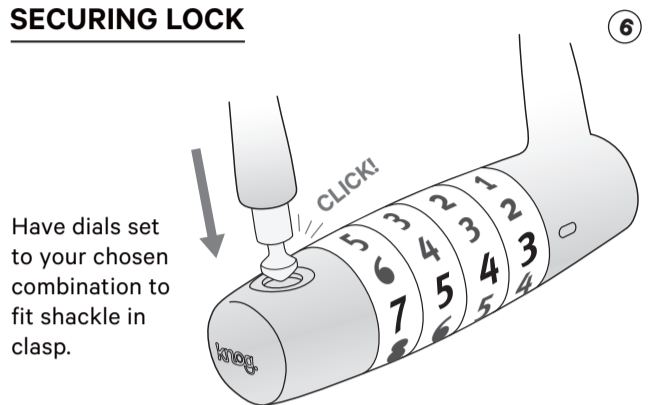
READ ME. (I'LL MAKE IT WORTH YOUR WHILE)

### NEW LOCK



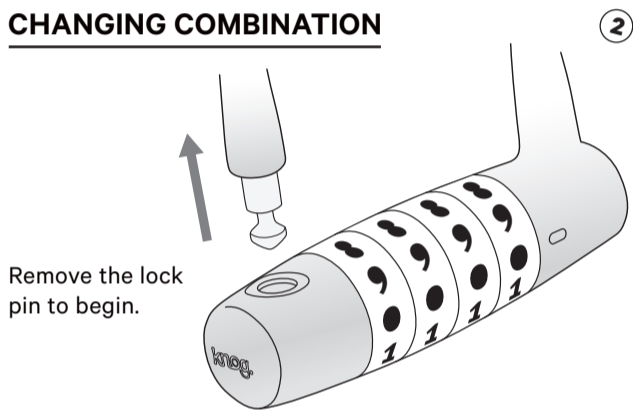
Default combination is set to 0-0-0-0

### SECURING LOCK

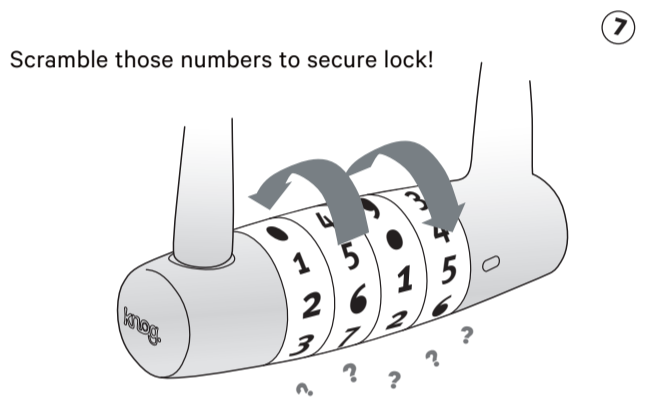


Have dials set to your chosen combination to fit shackle in clasp.

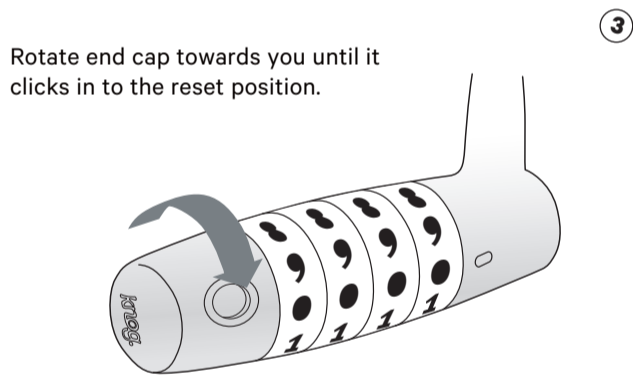
### CHANGING COMBINATION



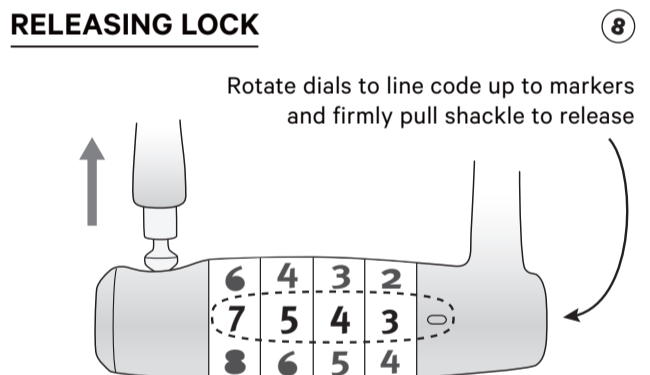
Remove the lock pin to begin.



Scramble those numbers to secure lock!

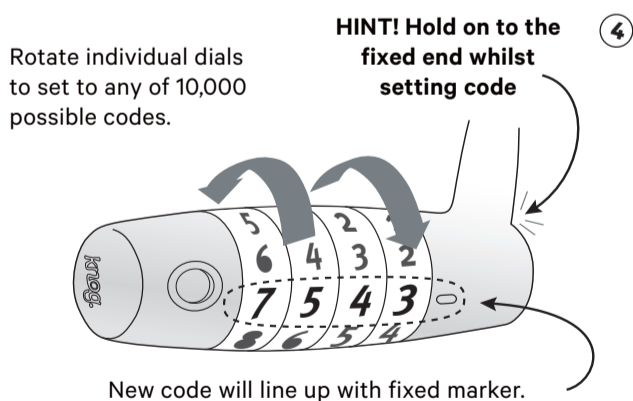


Rotate end cap towards you until it clicks in to the reset position.



### RELEASING LOCK

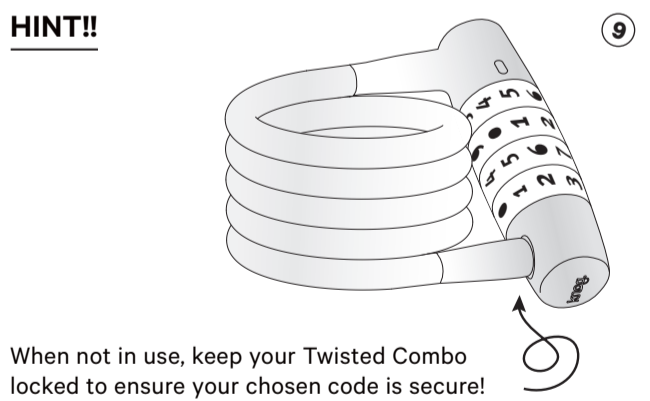
Rotate dials to line code up to markers and firmly pull shackle to release



Rotate individual dials to set to any of 10,000 possible codes.

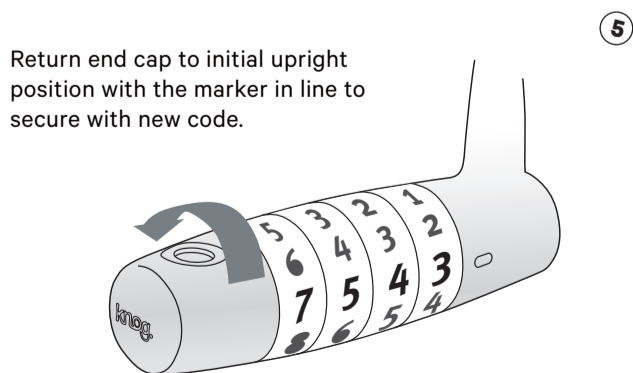
HINT! Hold on to the fixed end whilst setting code

New code will line up with fixed marker.

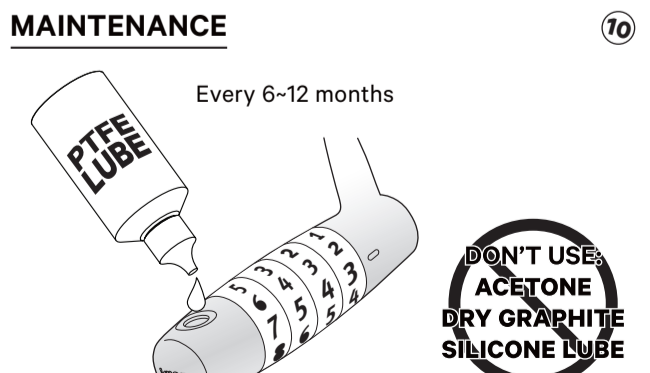


### HINT!!

When not in use, keep your Twisted Combo locked to ensure your chosen code is secure!



Return end cap to initial upright position with the marker in line to secure with new code.



### MAINTENANCE

Every 6~12 months

DON'T USE:  
ACETONE  
DRY GRAPHITE  
SILICONE LUBE

Hint: avoid using basic codes, ie 1-2-3-4 etc!